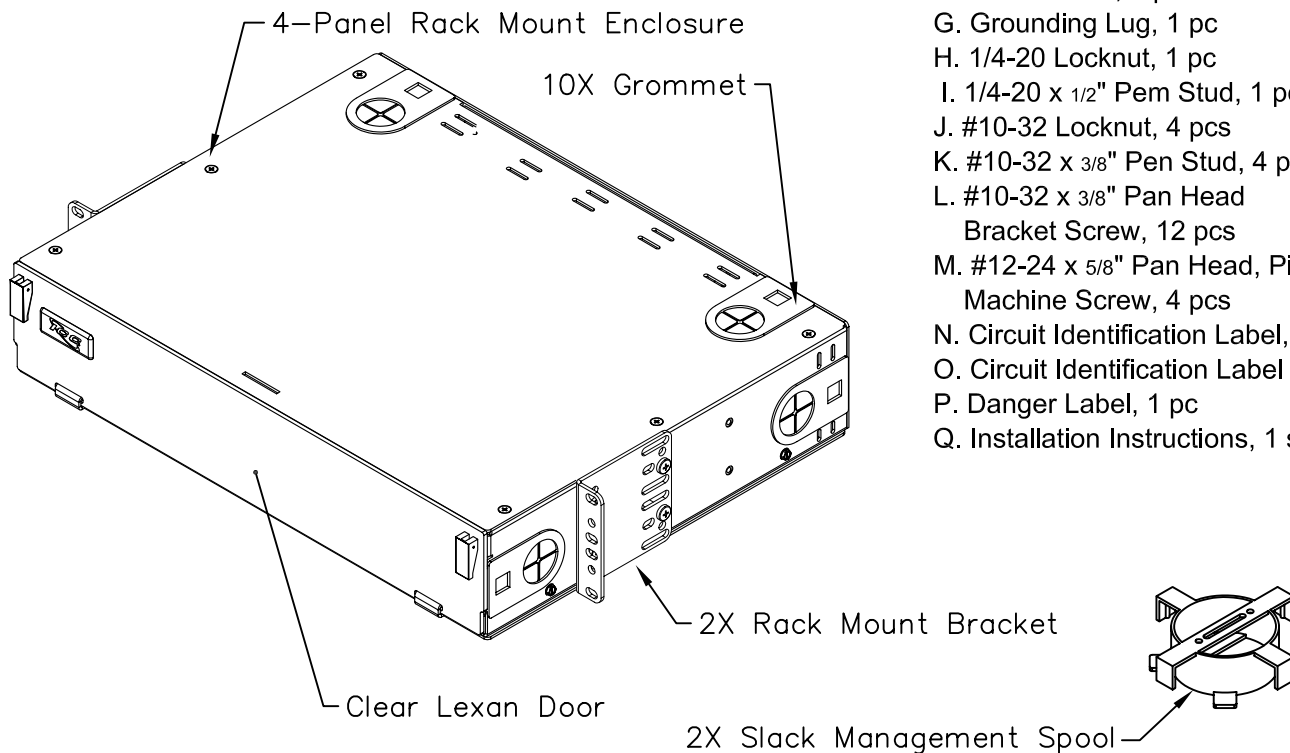


4-Panel Fiber Optic Rack Mount Enclosure

PRODUCT SPECIFICATION

Package includes:

- A. 4-Panel Rack Mount Enclosure, 1 pc
- B. Rack Mount Bracket, 2 pcs
- C. Slack Management Spool, 2 pcs
- D. Plastic Fiber Saddle, 7 pcs
- E. Velcro Tie Loop, 4 pcs
- F. 8" Cable Tie, 4 pcs
- G. Grounding Lug, 1 pc
- H. 1/4-20 Locknut, 1 pc
- I. 1/4-20 x 1/2" Pem Stud, 1 pc
- J. #10-32 Locknut, 4 pcs
- K. #10-32 x 3/8" Pen Stud, 4 pcs
- L. #10-32 x 3/8" Pan Head Bracket Screw, 12 pcs
- M. #12-24 x 5/8" Pan Head, Pilot Point Machine Screw, 4 pcs
- N. Circuit Identification Label, 1 pc
- O. Circuit Identification Label Hanger, 2 pcs
- P. Danger Label, 1 pc
- Q. Installation Instructions, 1 sheet



Features and Benefits:

- High quality material and folded edge design allow for strength and durability.
- Designed to fit all standard 19" racks and cabinets.
- Holds 4 ICFOP fiber optic adapter panels.
- Accepts 4 ICFOSTFM12 or 2 ICFOSTFM24 splice trays.
- 2 (RMS) rack mount space.
- Available in black.
- Installation instructions.

RACK ENCLOSURE, 4-PANEL, 2 RMS, BLACK

ITEM NO.	ICFOR204BK
DWG NO.	PSFOR204BK

REV.	B
PAGE NO.	1



Available from:

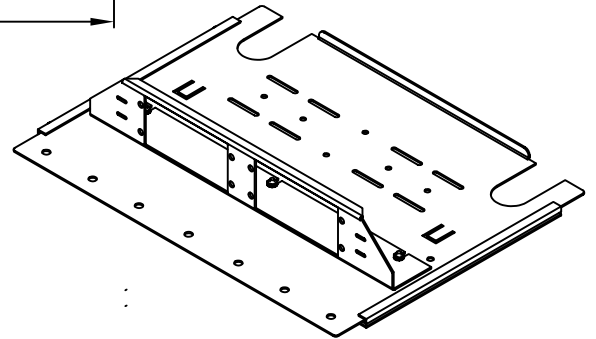
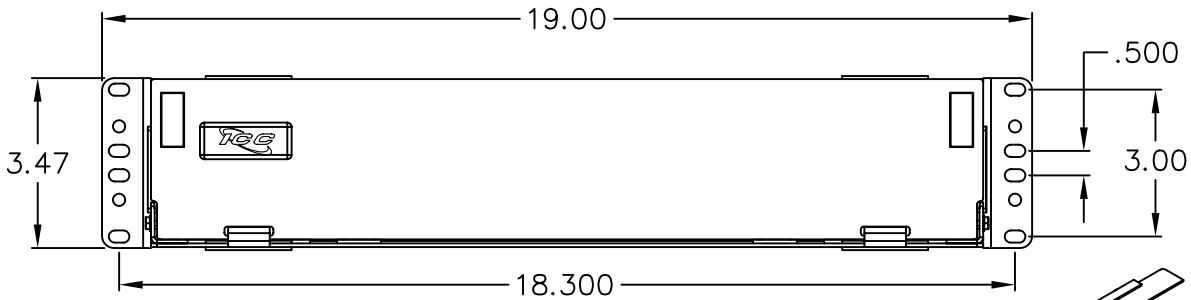
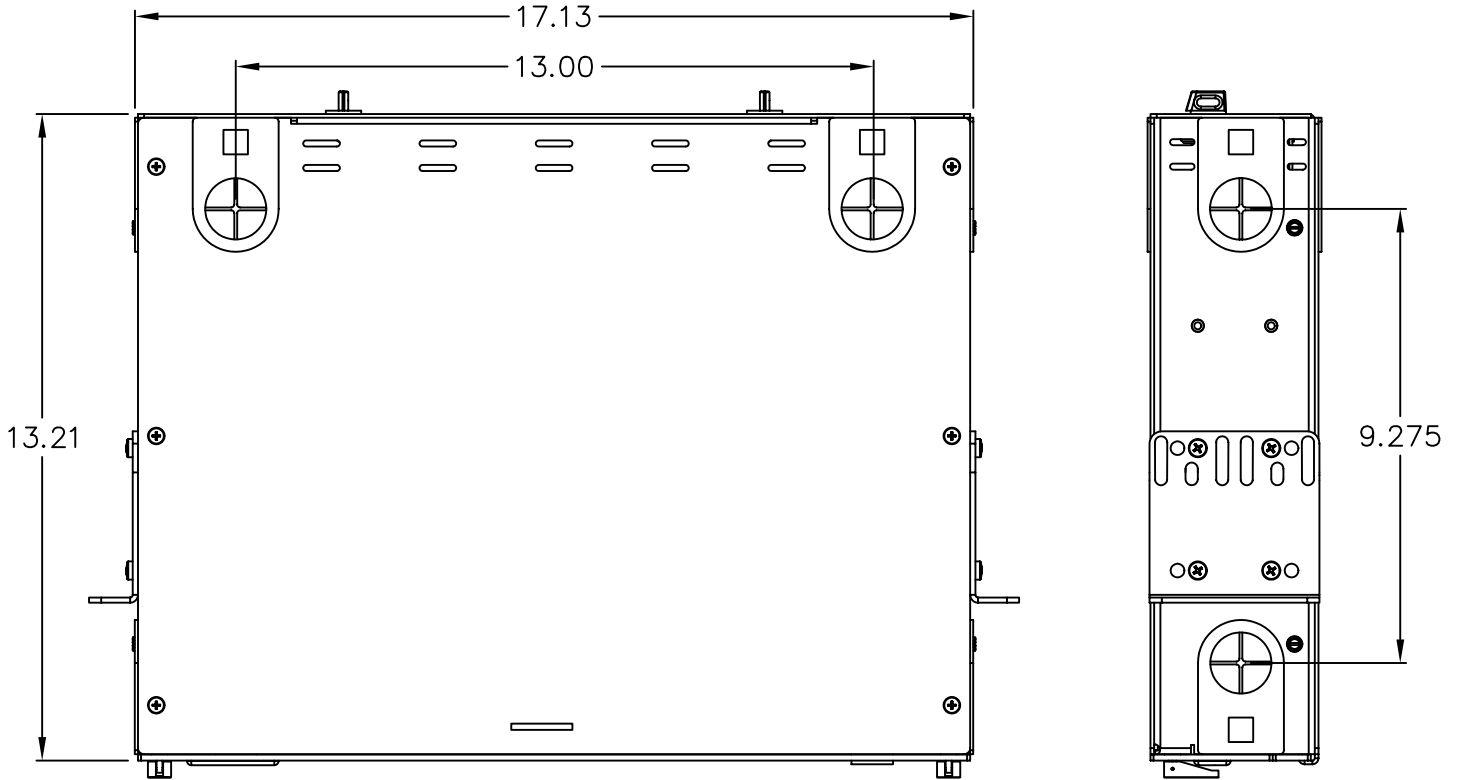
CablesPlus

U ★ S ★ A

Cables Plus, LLC

8504 Glazebrook Ave Richmond, VA 23228 - Toll Free (866) 678-5852

www.CablesPlusUSA.com



TRAY

NOTE: UNLESS OTHERWISE SPECIFIED

- 1. MATERIAL: 14 GA CRS
- 2. SURFACE FINISHING: BLACK POWDER COAT
- 3. COLOR: BK: BLACK

RACK ENCLOSURE, 4-PANEL, 2 RMS, BLACK

ITEM NO.	ICFOR204BK
DWG NO.	PSFOR204BK

REV.	B
PAGE NO.	2



CablesPlus

U ★ S ★ A

<http://www.cablesplususa.com/>

866-678-5852