

Available at

**CablesPlus**

U ★ S ★ A

<http://www.cablesplususa.com/>

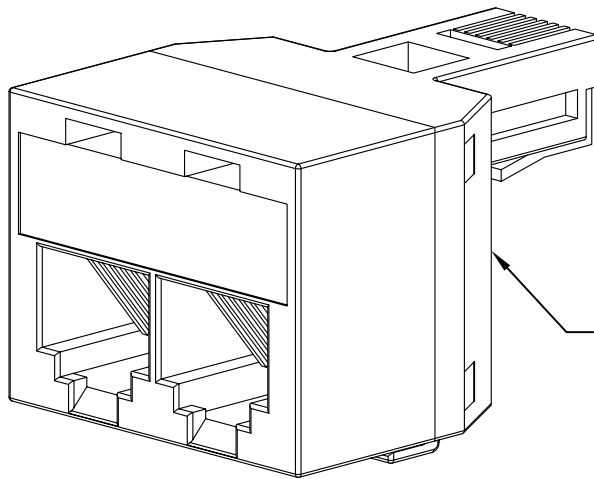
☎ 866-678-5852

## 6P4C RJ-11 Voice Modular Adapter, PIN 2-2

### PRODUCT SPECIFICATION

#### Package includes:

- A. 6P4C RJ-11 Voice Modular Adapter, 1 pc



6P4C RJ-11 Voice Modular Adapter

#### Features and Benefits:

- Connects two line cords to a single modular jack
- Used with ICLC2, ICLC4, and ICLC6 line cords
- Available in ivory
- UL listed

#### MODULAR ADAPTER, VOICE, PIN 2-2

ITEM NO. ICMA267D44

REV. A

DWG NO. PSMA267D44

PAGE NO. 1

**ICC**  
Premium Products  
Proven Performance  
Competitive Prices

**CablesPlus**  
U ★ S ★ A

<http://www.cablesplususa.com/>

☎ 866-678-5852

Available from:

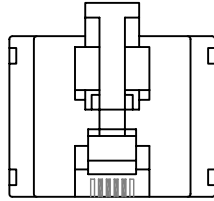
**CablesPlus**

U ★ S ★ A

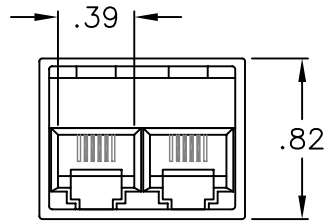
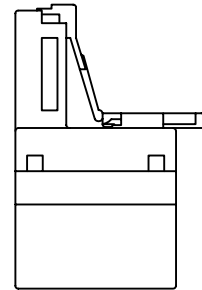
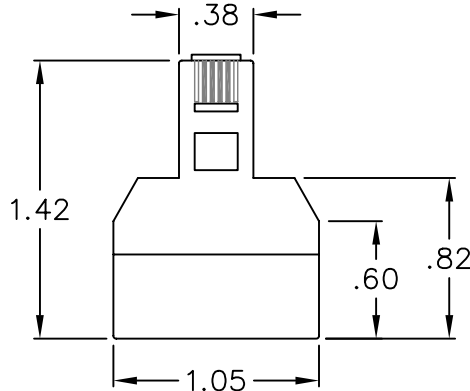
Cables Plus, LLC

8504 Glazebrook Ave Richmond, VA 23228 ~ Toll Free (866) 678-5852

www.CablesPlusUSA.com



A



B

C

**NOTE: UNLESS OTHERWISE SPECIFIED**

1. MATERIAL & FINISH:

- A. HOUSING: ABS, UL 94V-0
- B. COLOR: IVORY
- C. CONTACT: .45mm DIAMTER PHOSPHOR BRONZE  
GOLD PLATING OVER 100 MICRO INCH NICKLE
- D. GOLD PLATING: 1.27 MICRON/50 MICRO INCH MIN
- E. CONDUCTOR: 26 AWG, STRANDED

WIRING DIAGRAM :

4 CONDUCTORS		
JACK A	JACK B	JACK C
2	2	2
3	3	3
4	4	4
5	5	5

**MODULAR ADAPTER, VOICE, PIN 2-2**

ITEM NO. ICMA267D44  
DWG NO. PSMA267D44

REV. A  
PAGE NO. 2

