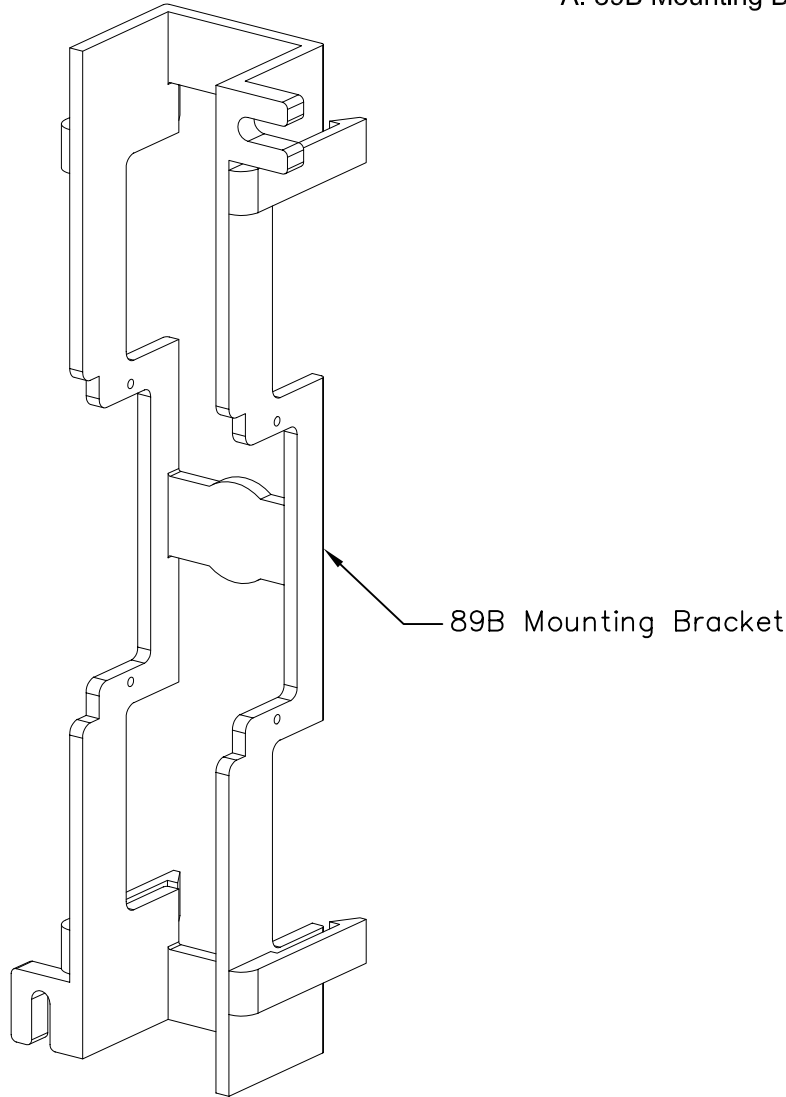


89B Mounting Bracket

PRODUCT SPECIFICATION

Package includes:


A. 89B Mounting Bracket, 1 pc



Features and Benefits:

- Designed for wall mounting
- Used with IC066NB050 CAT 5e 66 wiring block
- UL listed

89B MOUNTING BRACKET

ITEM NO.	ICMB89B0WH	REV.	A	 PremiumProducts ProvenPerformance CompetitivePrices
DWG NO.	PSMB89B0WH	PAGE NO.	1	

Available from:

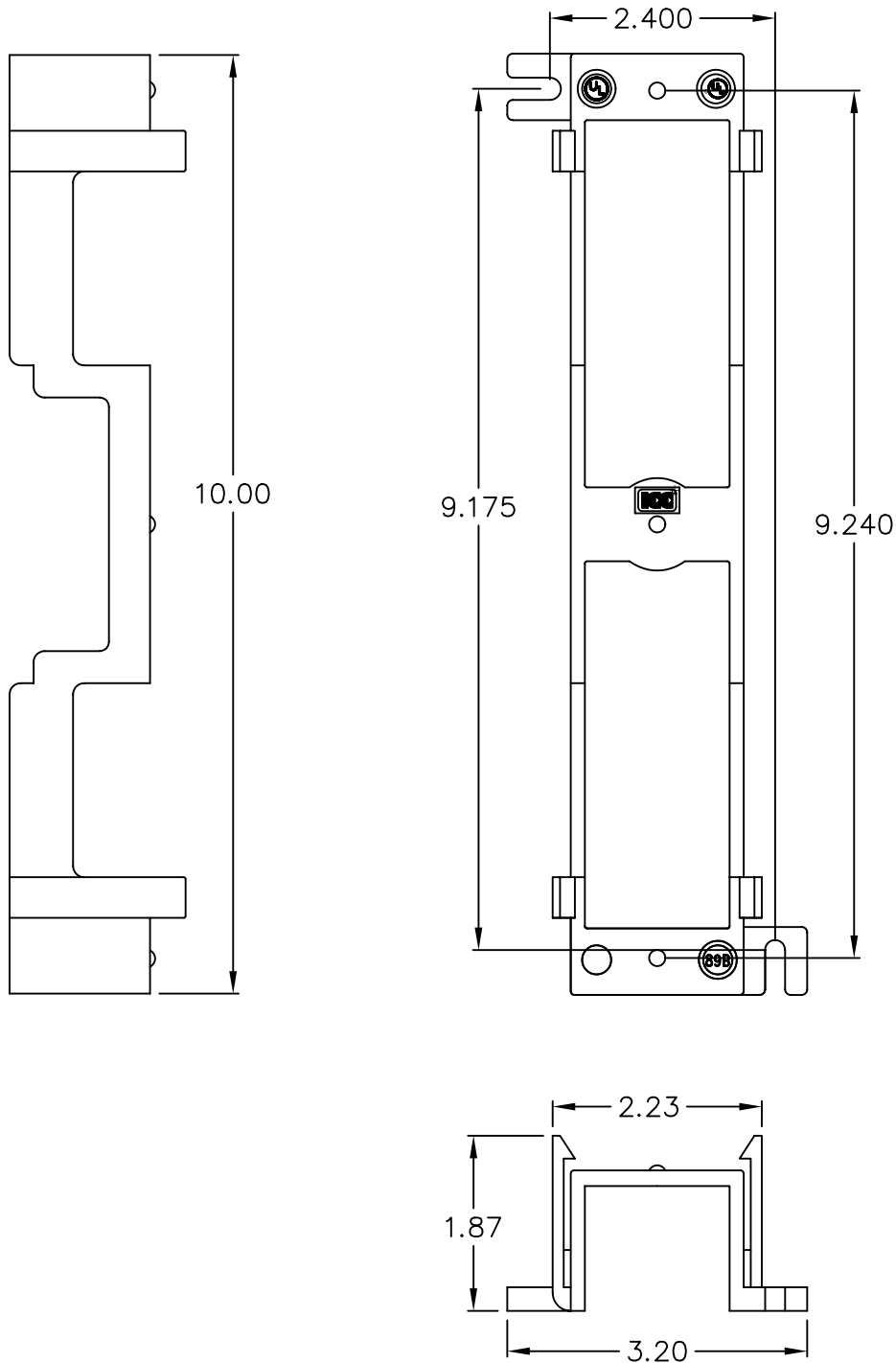
CablesPlus

U * S * A

Cables Plus, LLC


8504 Glazebrook Ave Richmond, VA 23228 - Toll Free (866) 678-5852

www.CablesPlusUSA.com



NOTE: UNLESS OTHERWISE SPECIFIED

- 1. MATERIAL: ABS, UL 94V-2
- 2. COLOR: WHITE

89B MOUNTING BRACKET		 <i>Premium Products</i> <i>Proven Performance</i> <i>Competitive Prices</i>	
ITEM NO.	ICMB89B0WH		REV. A
DWG NO.	PSMB89B0WH		PAGE NO. 2

CablesPlus

U * S * A

<http://www.cablesplususa.com/>

866-678-5852