

Available at



<http://www.cablesplususa.com/>

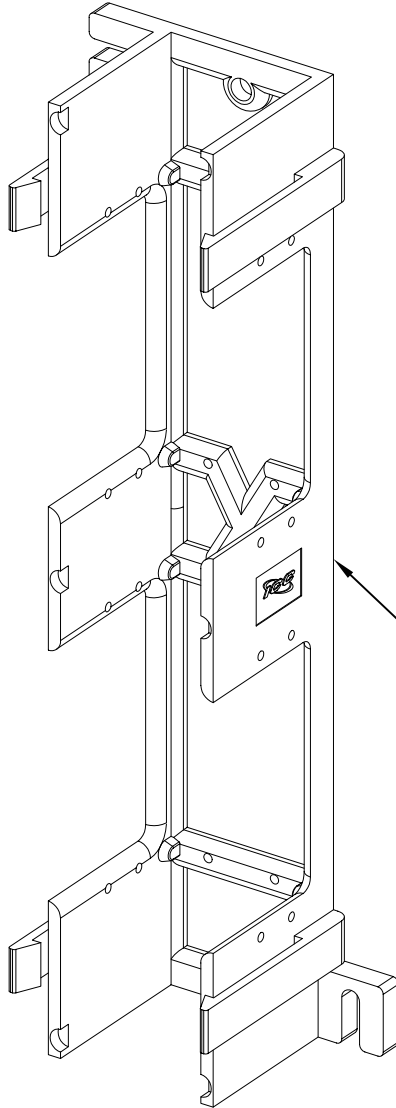
866-678-5852

89U Universal Mounting Bracket

PRODUCT SPECIFICATION

Package includes:

A. 89U Universal Mounting Bracket, 1 pc




89U Universal Mounting Bracket

Features and Benefits:

- Designed for wall mounting
- Used with ICMP CAT 5e/CAT 6 vertical patch panels, IC107 vertical blank patch panels, and IC066NB050 66 wiring blocks
- UL listed

89U MOUNTING BRACKET, UNIVERSAL

ITEM NO.	ICMB89U0WH	REV.	A	 <i>PremiumProducts</i> <i>ProvenPerformance</i> <i>CompetitivePrices</i>
DWG NO.	PSMB89U0WH	PAGE NO.	1	



<http://www.cablesplususa.com/>

866-678-5852

Available from:

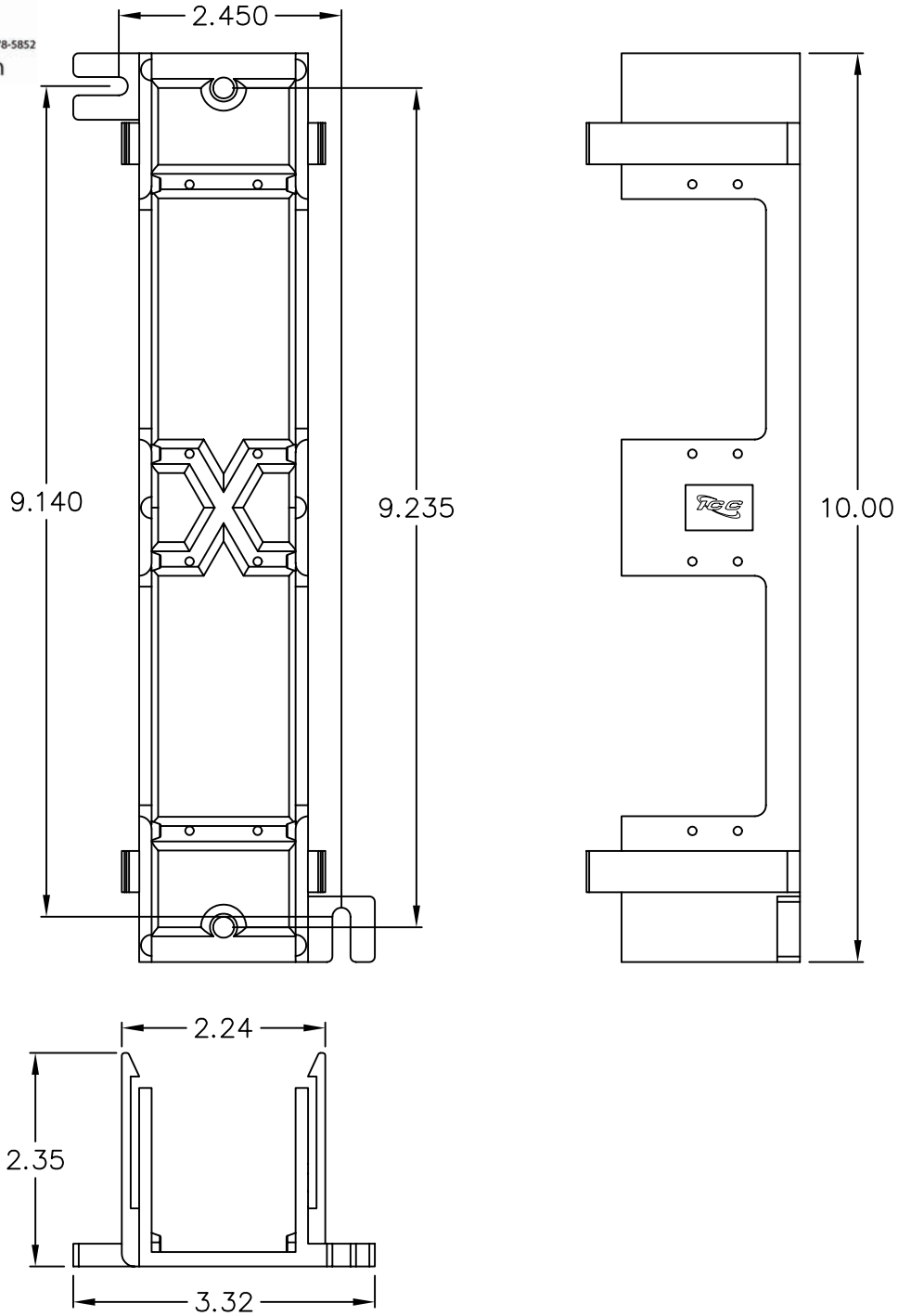
CablesPlus

U ★ S ★ A

Cables Plus, LLC


8504 Glazebrook Ave Richmond, VA 23228 - Toll Free (866) 678-5852

www.CablesPlusUSA.com



NOTE: UNLESS OTHERWISE SPECIFIED

- 1. MATERIAL: ABS, UL 94V-2
- 2. COLOR: WHITE

89U MOUNTING BRACKET, UNIVERSAL		 PremiumProducts ProvenPerformance CompetitivePrices	
ITEM NO.	ICMB89U0WH		REV. A
DWG NO.	PSMB89U0WH		PAGE NO. 2

CablesPlus

U ★ S ★ A

<http://www.cablesplususa.com/>

 866-678-5852