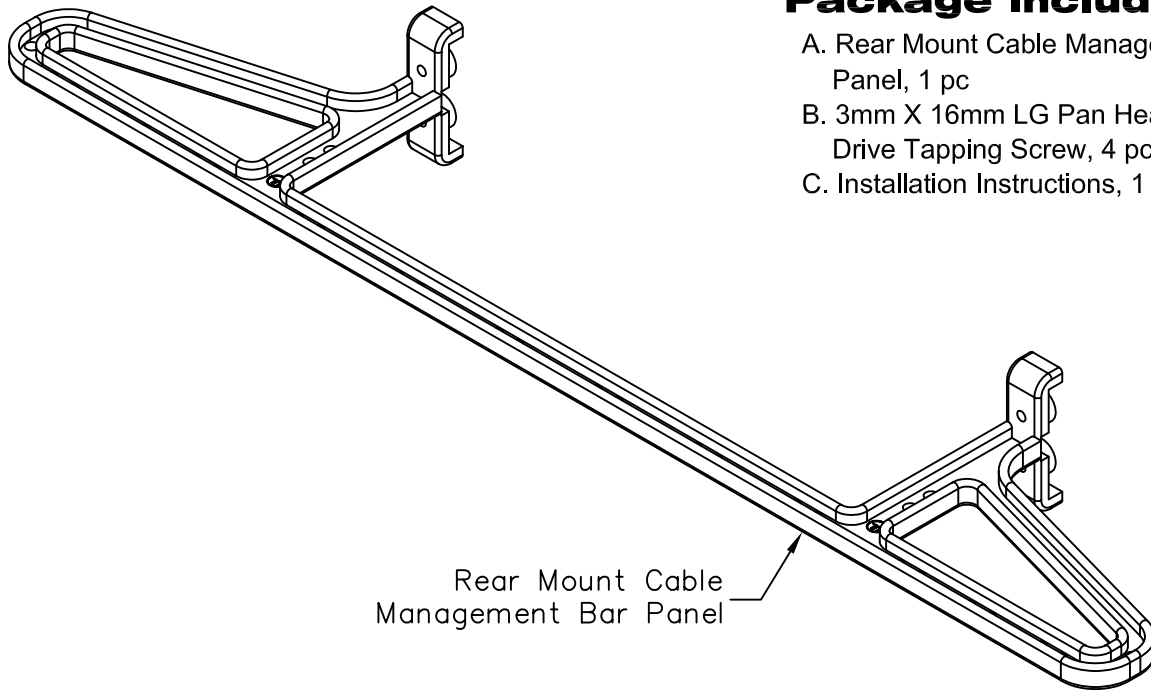


Rear Mount Cable Management Bar Panel

PRODUCT SPECIFICATION



Package includes:

- A. Rear Mount Cable Management Bar Panel, 1 pc
- B. 3mm X 16mm LG Pan Head, Combination Drive Tapping Screw, 4 pcs
- C. Installation Instructions, 1 sheet

Features and Benefits:

- Designed to mount on the rear side of 110-type patch panels for rear cable support
- Used with ICMP CAT 5e and CAT 6 patch panels
- Installation instructions #MSR-0269 included
- UL listed

PANEL, CABLE MANAGEMENT BAR, REAR MOUNT

ITEM NO.	ICMPP25CMB	REV.	A
DWG NO.	PSMPP25CMB	PAGE NO.	1



Available from:

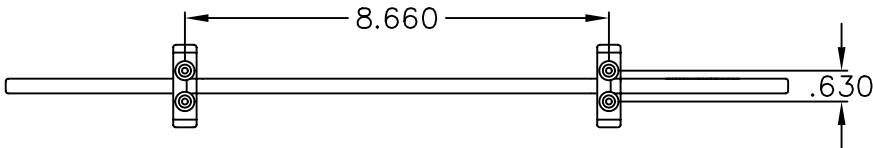
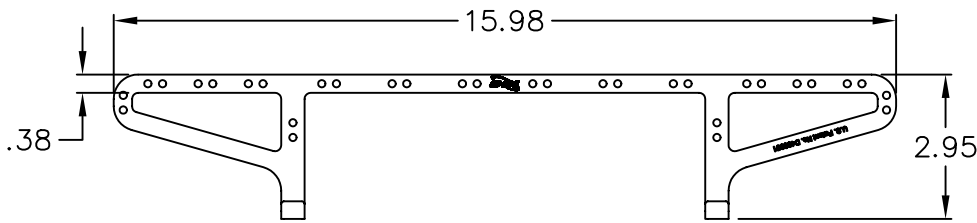
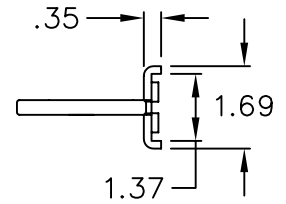
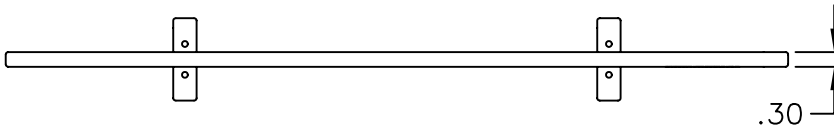
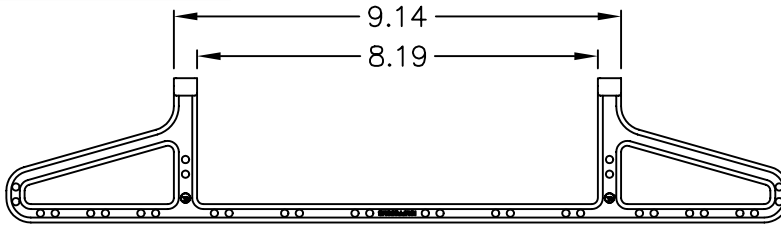
CablesPlus

U ★ S ★ A

Cables Plus, LLC

8504 Glazebrook Ave Richmond, VA 23228 - Toll Free (866) 678-5852

www.CablesPlusUSA.com



NOTE: UNLESS OTHERWISE SPECIFIED

- 1. MATERIAL: ABS, UL 94V-0
- 2. COLOR: BLACK

PANEL, CABLE MANAGEMENT BAR, REAR MOUNT

ITEM NO.	ICMPP25CMB	REV.	A
DWG NO.	PSMPP25CMB	PAGE NO.	2



CablesPlus

U ★ S ★ A

<http://www.cablesplususa.com/>

866-678-5852