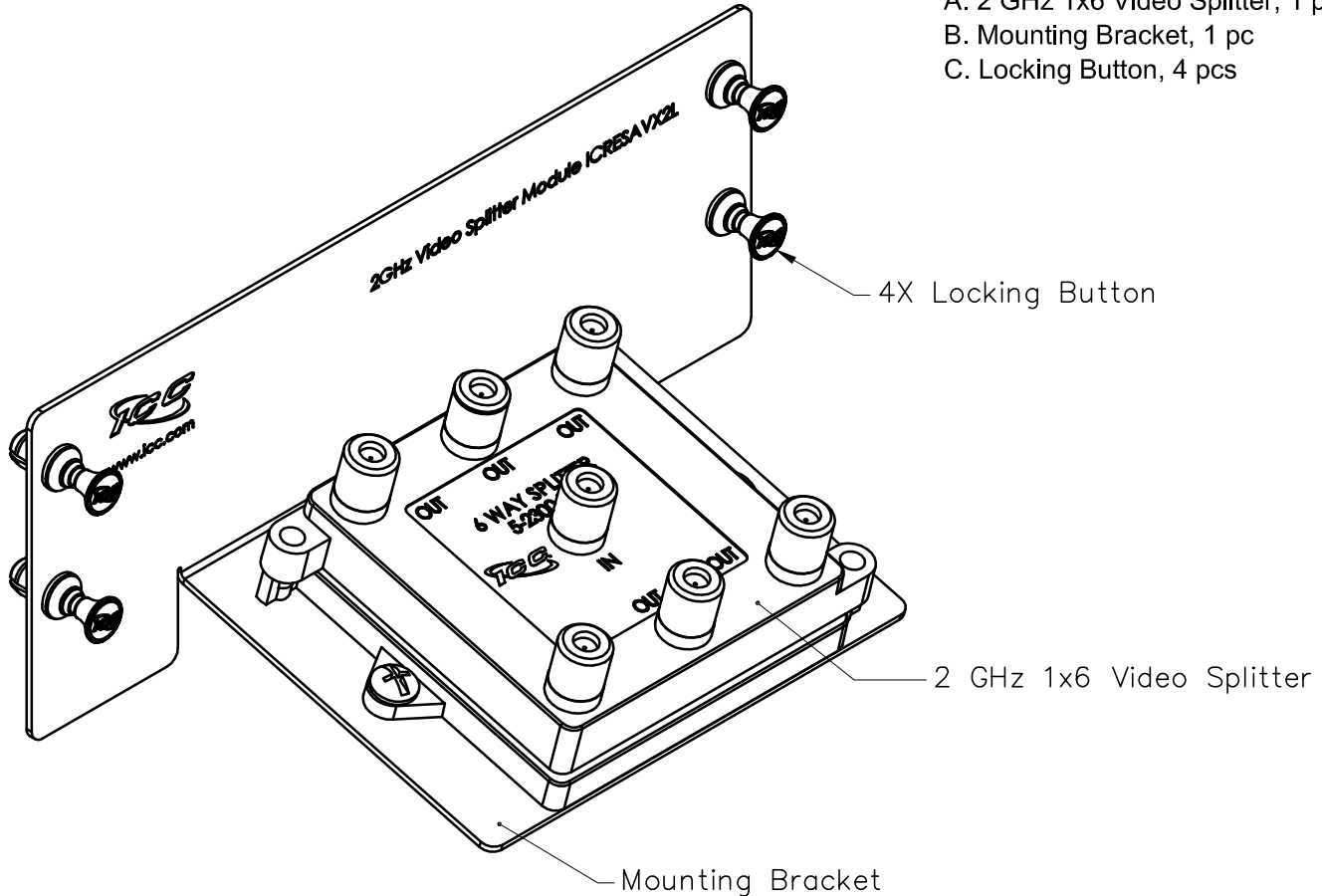


# 2 GHz 1x6 Deluxe Video Splitter Resi Module

## PRODUCT SPECIFICATION

### Package includes:

- A. 2 GHz 1x6 Video Splitter, 1 pc
- B. Mounting Bracket, 1 pc
- C. Locking Button, 4 pcs



### Features and Benefits:

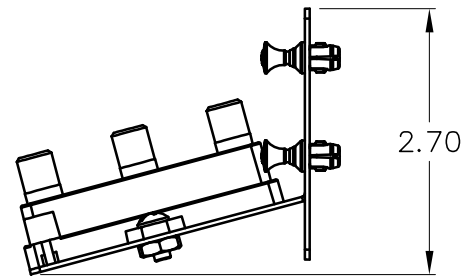
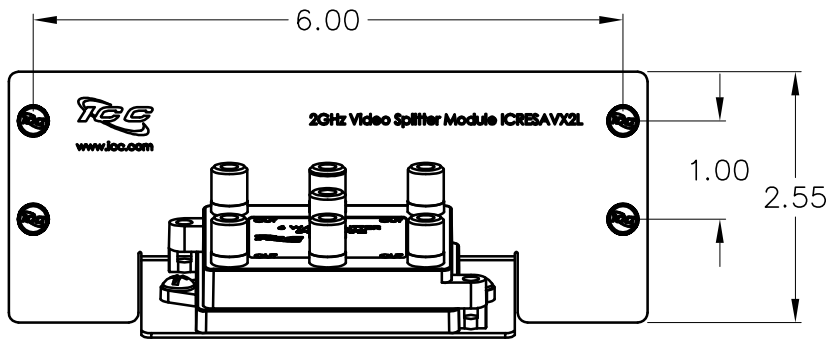
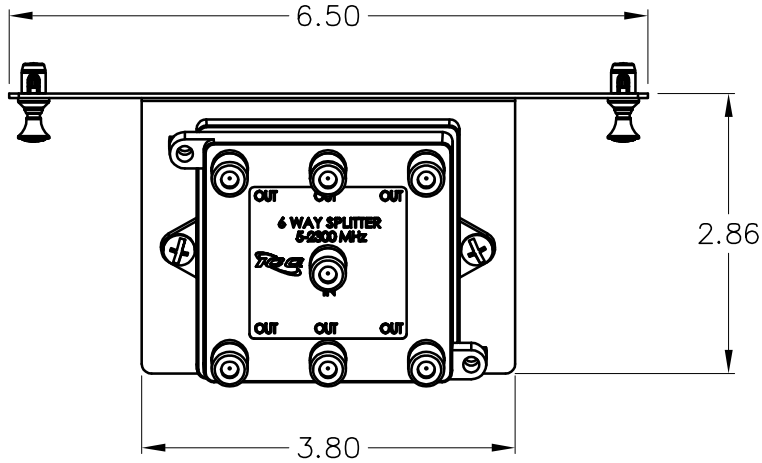
- Designed to provide excellent signal quality for splitting HDTV, satellite, cable, UHF/VHF, antenna, or security system signals up to 6 locations with the frequency bandwidth from 5 to 2300 MHz
- Ideal for home or small office use
- Used with ICRESAM25C or ICRDSAM18C drop amplifier resi module installed between the signal source and the splitter input connector to compensate for splitter insertion loss and to ensure adequate incoming signal levels if needed
- Used with ICRDSTC75F F-type termination cap to prevent signal degradation
- Fits all ICRESDC 14", 21", 28", and 42" resi distribution center enclosures with the 4 locking buttons

### RESI MODULE, DELUXE VIDEO SPLITTER, 1X6, 2 GHZ

ITEM NO.	ICRESAV62L
DWG NO.	PSRESAV62L

REV.	A
PAGE NO.	1

**ICC**  
 Premium Products  
 Proven Performance  
 Competitive Prices



**NOTE: UNLESS OTHERWISE SPECIFIED**

1. 1X6 VIDEO SPLITTER:
  - A. HOUSING: DIE-CASTING WITH NICKEL PLATING
  - B. CONNECTORS: F-TYPE FEMALE
  - C. FREQUENCY RANGE: 5 ~ 2300 MHZ
  - D. INSERTION LOSS: 15 dB TYPICAL
2. MOUNTING BRACKET:
  - A. MATERIAL: 18 GA CRS
  - B. SURFACE FINISH: WHITE POWDER COAT
3. LOCKING BUTTON: MATERIAL: NYLON 6/6, UL 94V-0

**RESI MODULE, DELUXE VIDEO SPLITTER, 1X6, 2 GHZ**

ITEM NO.	ICRESAV62L
DWG NO.	PSRESAV62L

REV.	A
PAGE NO.	2

