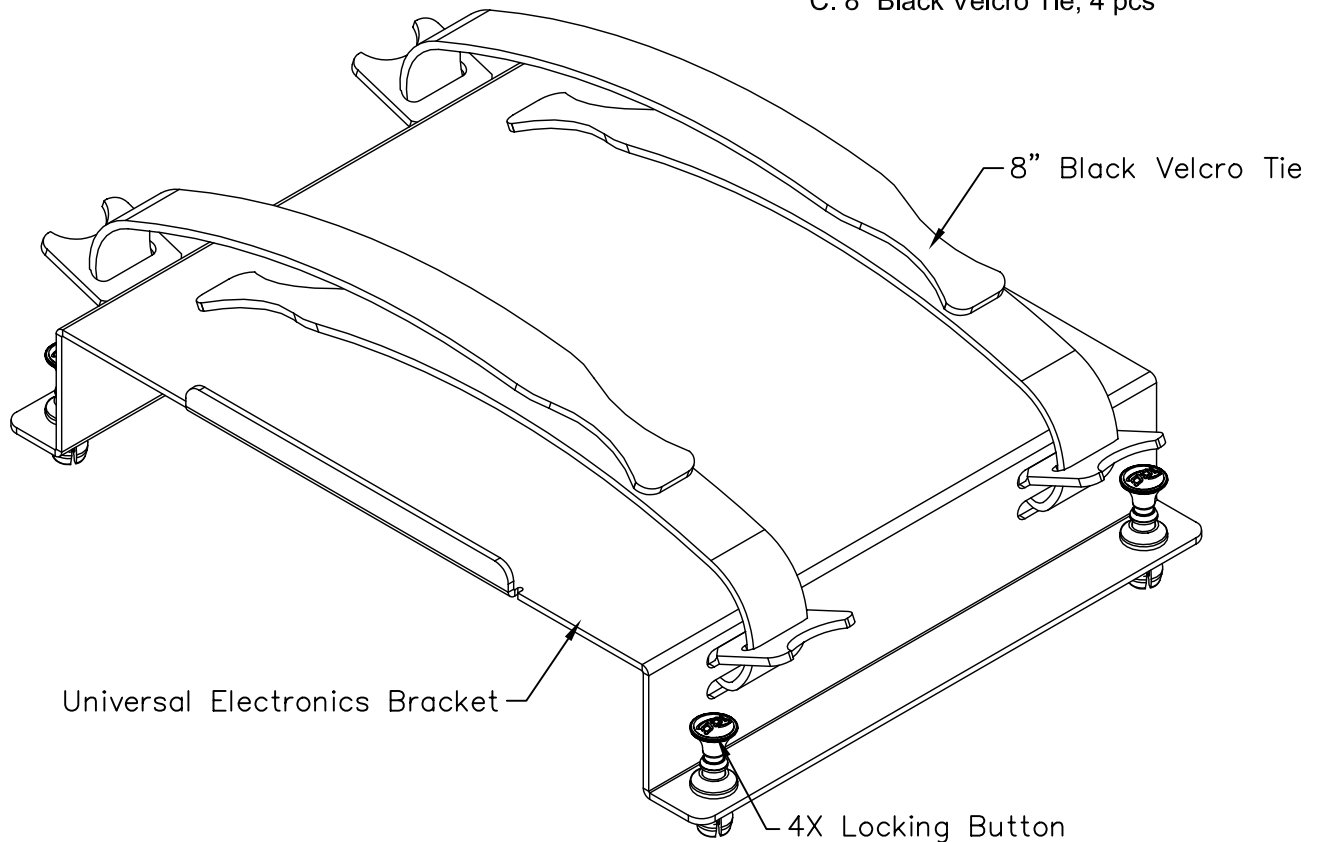


Universal Electronics Bracket

PRODUCT SPECIFICATION

Package includes:


- A. Universal Electronics Bracket, 1 pc
- B. Locking Button, 4 pcs
- C. 8" Black Velcro Tie, 4 pcs



Features and Benefits:

- Designed with steel construction, white powder coated, lightweight and sturdy
- Designed to hold cable or DSL modems, routers, switches, and other electronics
- Bottom lip to help support equipment
- Comes with velcro ties to hold electronics securely in place
- Fits all ICRESDC 14", 21", 28", and 42" resi distribution center enclosures

RESI BRACKET, ELECTRONICS, UNIVERSAL

ITEM NO.	ICRESDCBUM	REV.	A	 <i>PremiumProducts</i> <i>ProvenPerformance</i> <i>CompetitivePrices</i>
DWG NO.	PSRESDCBUM	PAGE NO.	1	

Available from:

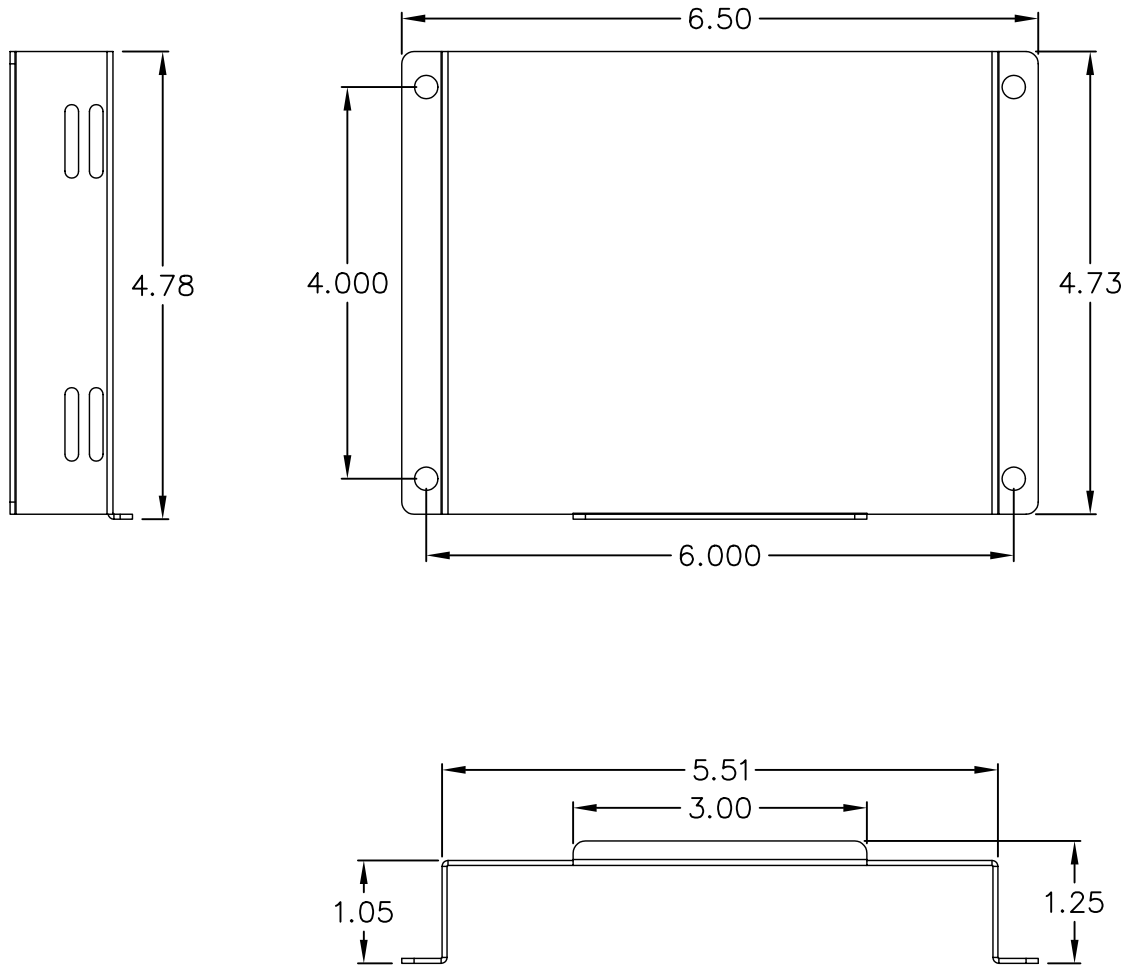
CablesPlus

U ★ S ★ A

Cables Plus, LLC

8504 Glazebrook Ave Richmond, VA 23228 – Toll Free (866) 678-5852

www.CablesPlusUSA.com



NOTE: UNLESS OTHERWISE SPECIFIED

1. BRACKET:

A. MATERIAL: 18 GA CRS

B. SURFACE FINISH: WHITE MATTE COAT

2. LOCKING BUTTON:

A. MATERIAL: NYLON 6/6, UL 94V-0

RESI BRACKET, ELECTRONICS, UNIVERSAL



Premium Products
Proven Performance
Competitive Prices

ITEM NO.

ICRESDCBUM

REV. A

PSRESDCBUM

PAGE NO. 2

CablesPlus

U ★ S ★ A

<http://www.cablesplususa.com/>

866-678-5852