

Available from:

**CablesPlus**

U \* S \* A

Cables Plus, LLC

8504 Glazebrook Ave Richmond, VA 23228 – Toll Free (866) 678-5852

[www.CablesPlusUSA.com](http://www.CablesPlusUSA.com)

# LCD-1

*multi-configurable universal LCD monitor wall mount*

## Product Features:

can be configured as a single arm, double arm articulating or near flush mount with parts provided

holds most 10" to 23" LCD monitors

accommodates monitors with 75 or 100mm VESA standards

adjustable -5° to +30° tilt

rotates 240° at the monitor / 160° at the wall

rotates 240° at the elbow joint (double arm configuration)

feed through wall plate with decorative cover

includes clip based cable management system

load capacity - 25 lbs

silver powder coat finish

also available with black finish (LCD-1B)

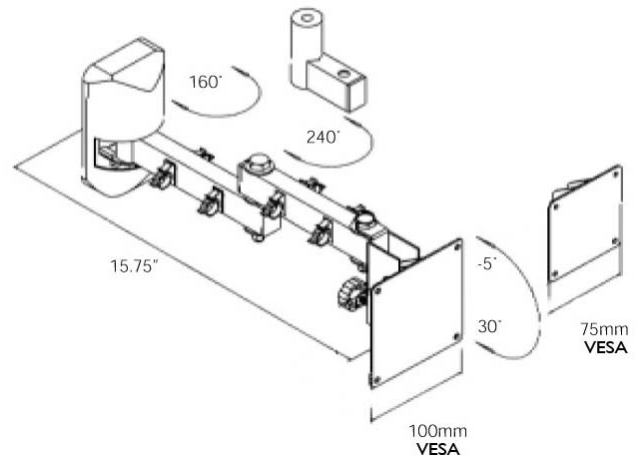


## Product Specifications:

*(for Architects & Engineers)*

The wall mount for the LCD display shall be the Video Mount Products (VMP) model LCD-1. The mount shall be designed to attach to a single stud or other suitable support surface. The mount shall be constructed primarily of tubular steel and shall incorporate nylon filled nuts and arc welds. The mount shall be a universal style mount capable of mounting to all 10" - 23" LCD monitors that incorporate 75mm and 100mm VESA standard mounting hole patterns and not necessarily be model specific.

The mount shall include both 75mm and 100mm mounting plates. The mount shall include a cable management system. The mount shall be multi-configurable and capable of being assembled as a double arm articulating, single arm or near flush mount with parts provided. The mount must allow for adjustable tilt from -5° to +30°. The load capacity shall be 25 lbs.



Available from:

**CablesPlus**  
U \* S \* A

Cables Plus, LLC

8504 Glazebrook Ave Richmond, VA 23228 – Toll Free (866) 678-5852

[www.CablesPlusUSA.com](http://www.CablesPlusUSA.com)