

Available from:

**CablesPlus**

U ★ S ★ A

Cables Plus, LLC

8504 Glazebrook Ave Richmond, VA 23228 ~ Toll Free (866) 678-5852

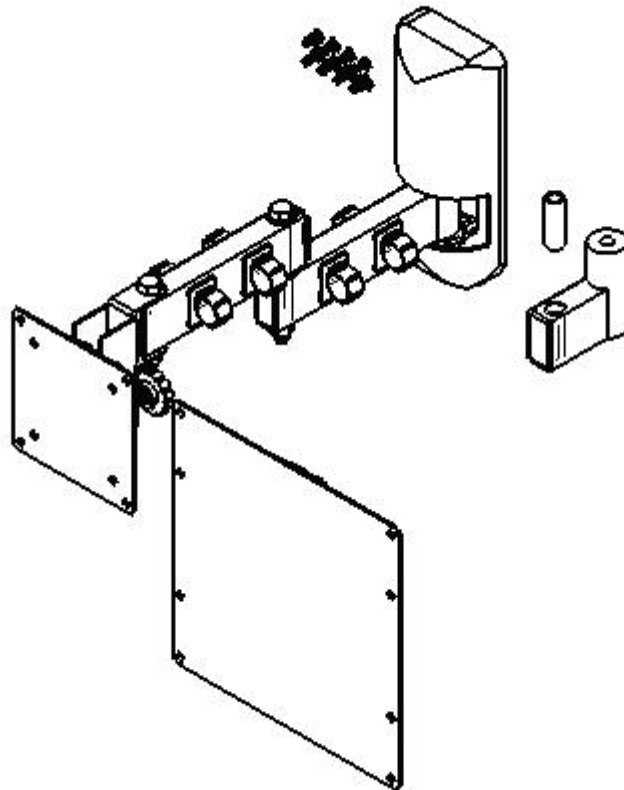
[www.CablesPlusUSA.com](http://www.CablesPlusUSA.com)

## VIDEO MOUNT PRODUCTS

*Instruction Sheet For:*

# LCD-2537 & LCD-2537B

---



Available from:

**CablesPlus**

U ★ S ★ A

Cables Plus, LLC

8504 Glazebrook Ave Richmond, VA 23228 ~ Toll Free (866) 678-5852

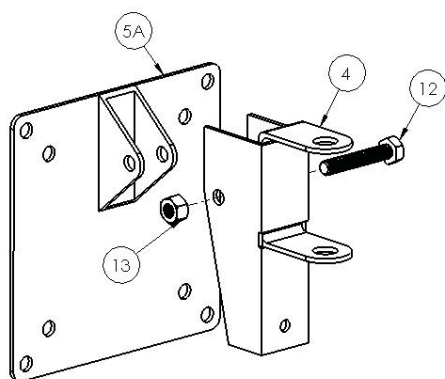
[www.CablesPlusUSA.com](http://www.CablesPlusUSA.com)

### Step 1

Before starting lay out all parts to your mount and match them to the parts list provided. Verify that you have all your parts before attempting to assemble the mount.

### Step 2

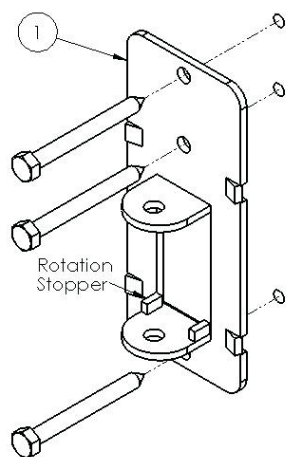
Next determine which VESA standard plate you will be using (5A) or (5B) (75mm/100mm for (5A) or 200mm/100mmx200mm for (5B)) and attach the selected mounting plate (5A) or (5B) to the swivel bracket 4 using the M6 screw (12) and the nylon nut (13). (Set this assembly safely to the side for now.)



Step 2: Attaching the mounting plate to the pivot bracket

### Step 3

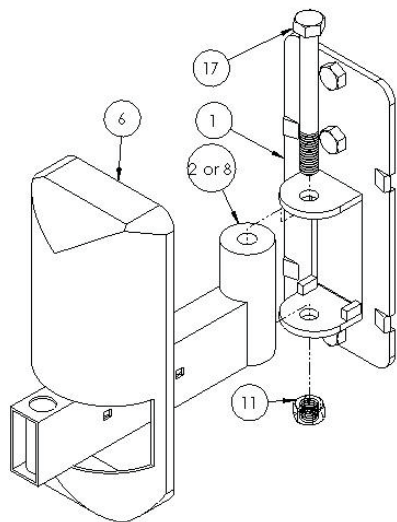
Mark the wall or desired mounting surface in preparation of installation of wall mounting plate (1). Pre-drill if necessary and mount wall plate (1) to desired surface. Mount wall plate with small welded rotation stoppers to the bottom of the plate. **Warning: Please verify that your mounting surface will support the combined weight of your mount, mounting hardware, and monitor. Also verify that the mounting surface is safe to drill through. If in doubt, please contact a professional installer.**



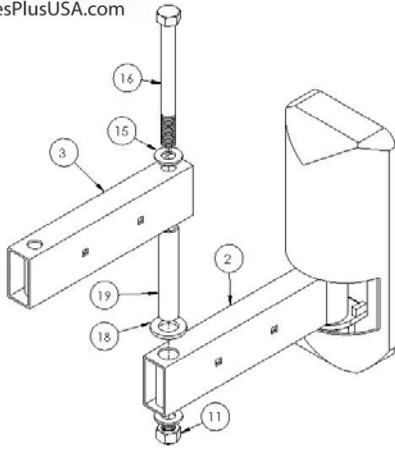
Step 3: Attaching the wall plate to the mounting surface  
 (Lag Screws not included)

### Step 4

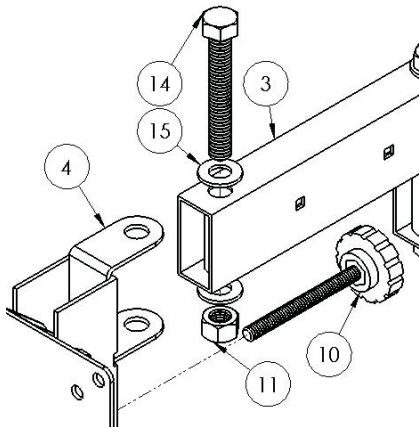
Next determine which arm configuration you desire (double arm, single arm, or near flush) and locate the correct arms (8) for near flush, (2) for single arm, and (2) and (3) for double arm). Attach the desired wall arm (2) or (8) to the wall plate (1) using the 3/8" screw (17), and nylon nut (11). Snap the plastic cover (6) onto the wall plate (1).



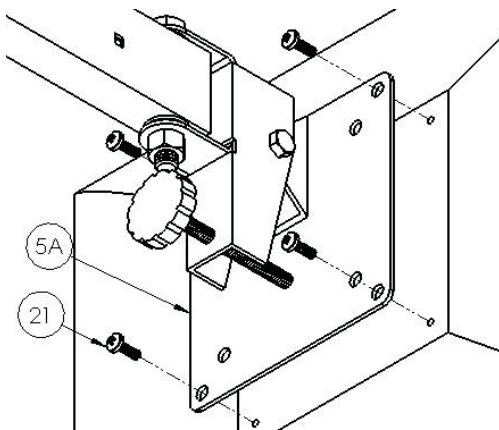
Step 4: Attaching the rear force arm to the wall plate



Step 5: Attaching the front force arm to the rear force arm



Step 6: Attaching the pivot bracket to the front force arm



Step 7: Attaching the monitor to the mounting plate

### Step 5

If your application calls for the double arm configuration, attach the front force arm (3) to the rear force arm (2) using the metal pin (16), the long spacer (19), washers (5) on the top and bottom and (18) between the two arms, and the nylon nut (11). If your application calls for the single arm or near flush mount configuration, insert the short spacer (20) into (2) or (8) and continue to the next step.

### Step 6

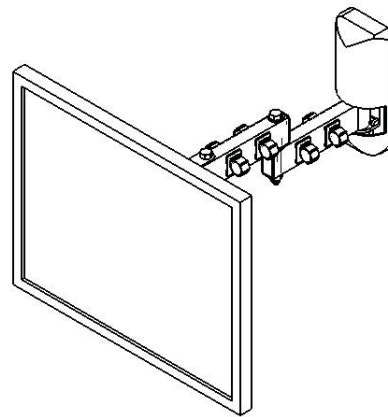
Attach the swivel bracket (4) to the appropriate force arm ((2), (3), or (8) depending on your application) using a 3/8" screw (14), washers (15), and nylon nut (11). Insert adjustable screw (10) into the back of the swivel bracket (4) for use when tilting the monitor.

### Step 7

Attach the mounting plate assembly from step 2 to your LCD monitor using the M4 or M5 screws (21) or (22) as appropriate.

### Step 8

Insert end plugs (9) into the force arms used by your application. Insert the cable clips (7) by pushing the arrow ends into the square holes in the force arms. Please verify that all nuts and screws are securely tightened.



## Enjoy Your Mount!

**WARNING:** The installer of these products must verify that the mounting surface, ceiling or wall, will safely support the combined weight of all attached equipment and hardware. Video Mount products will not be held liable for the improper use or installation of its products.