

Available from:

CablesPlus

U ★ S ★ A

Cables Plus, LLC

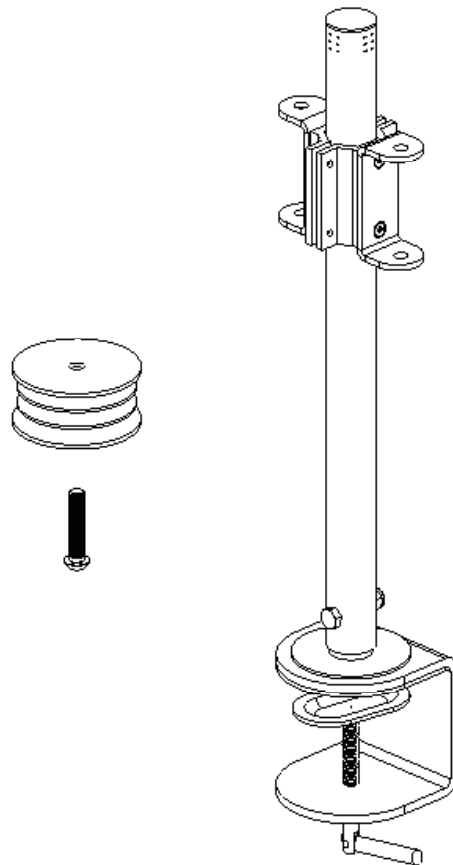
8504 Glazebrook Ave Richmond, VA 23228 ~ Toll Free (866) 678-5852

www.CablesPlusUSA.com

VIDEO MOUNT PRODUCTS

Instruction Sheet For:

LCD-DM2



Available from:

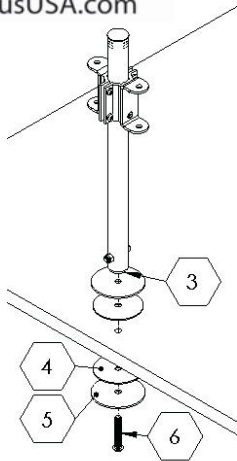
CablesPlus

U ★ S ★ A

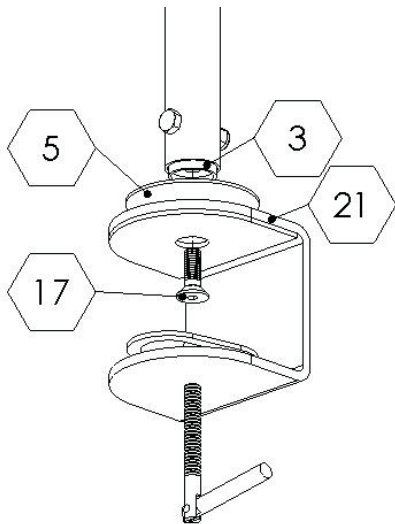
Cables Plus, LLC

8504 Glazebrook Ave Richmond, VA 23228 ~ Toll Free (866) 678-5852

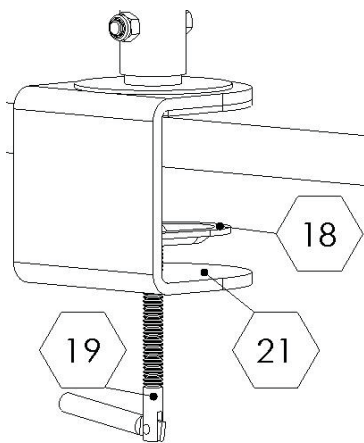
www.CablesPlusUSA.com



Step 2: Through bolting the mount



Step 3: Connecting the base seat



Step 4: Clamping down on the desk

Step 1

Before starting, lay out all parts to your mount and match them to the parts list provided. Verify that you have all your parts before attempting to assemble the mount. **Note: The LCD-DM2 and LCD-1 combo was designed to mount two of the same TV or TVs of similar size and weight. It is not designed to have two significantly different TVs mounted. Also note that LCD-1 part numbers have hexagons around their numbers and LCD-DM2 has circles around its part numbers.**

Through bolting the LCD-DM2

Step 2

Mark the desk or desired mounting surface in preparation of installation of the bottom tube (3) LCD-DM2. Drill a ½" hole through the desired mounting surface. Place a plastic washer (4) LCD-DM2 on either side of the drilled hole and place metal washers (5) LCD-DM2 on top of the plastic washers (4) LCD-DM2. Insert the M10 screw (6) LCD-DM2 through the bottom most metal washer (5) LCD-DM2 through to the top most metal washer and then screw the bottom tube (3) LCD-DM2 onto the M10 screw. **Warning: Please verify that your mounting surface will support the combined weight of your mount, mounting hardware, and monitor. Also verify that the mounting surface is safe to drill through. If in doubt, please contact a professional installer.**



Step 3

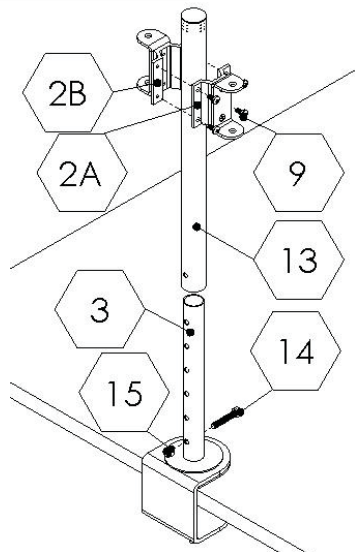
Make sure the flat head screw (17) LCD-DM2 is connecting the bottom tube (3) LCD-DM2 to the base seat (21) LCD-DM2. Note: The mount may come assembled with the button cap M10 screw (6) LCD-DM2 attaching the base seat please make sure to attach the flat head screw instead.

Step 4

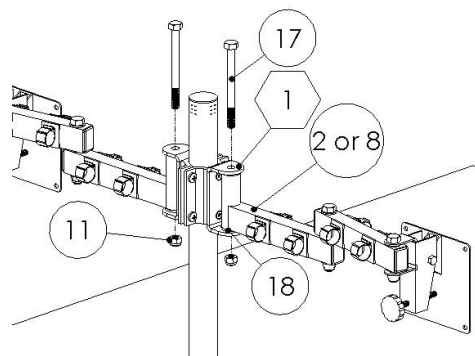
Place the clamp (19) on the edge of the desk or mounting surface and turn the adjustable bolt (19) LCD-DM2 until the fixed plate (18) LCD-DM2 is tight against the bottom of the desk or desired mounting surface. **Warning: Please verify that your mounting surface will support the combined weight of your mount, mounting hardware, and monitor. If in doubt, please contact a professional installer.**

Key:

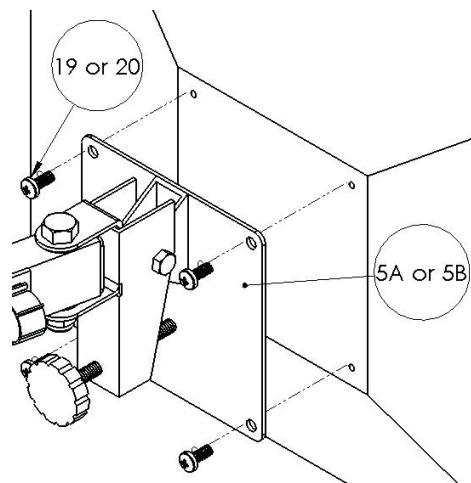
	LCD-1
	LCD-DM2



Step 5: Adjusting height



Step 6: Attaching LCD-1s



Step 7: Attaching monitors

Step 5

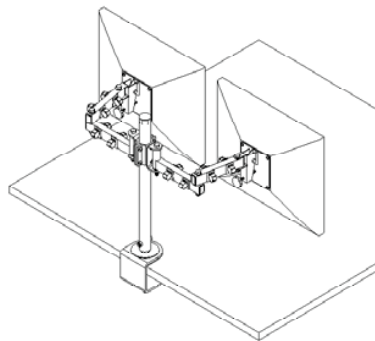
Now is time to adjust height of the upper tube (13) LCD-DM2 and connectors A and B (2A) and (2B) LCD-DM2 to the desired height of your TV. To adjust the height of the upper tube (13) LCD-DM2 simply remove the M8 screw (14) LCD-DM2 and nylon nut (15) LCD-DM2. Next slide the upper tube (13) LCD-DM2 along the bottom tube (3) LCD-DM2 matching up the height adjustment holes on the two of them until you get your desired height. Then secure the upper tube (13) LCD-DM2 again using the M8 screw (14) LCD-DM2 and nylon nut (15) LCD-DM2. To adjust the connectors (2A) and (2B) LCD-DM2 loosen the M6 screws (9) LCD-DM2 and slide the connectors to the desired height along the upper tube (13) LCD-DM2. Retighten the screws (9) LCD-DM2 once the connectors (2A) and (2B) LCD-DM2 are in the proper position.

Step 6

For this step it is assumed that you have assembled the LCD-1 to the configuration desired, but have not attached the monitors to the mounting plates. If this is not the case, please take the time to assemble the LCD-1. Insert the plastic flanges (18) LCD-1 into the desired arm (2) or (8) LCD-1. Now use the 3/8" bolt (17) LCD-1 and nylon nut (11) LCD-1 to connect the arm (2) or (8) LCD-1 to the "U" connector (1) LCD-DM2.

Step 7

Attach the monitors to the mounting plate (5A) or (5B) LCD-1 using M4 (19) LCD-1 or M5 (20) LCD-1 screws. *Please verify that all nuts and screws are tight.*



Enjoy Your Mount!

WARNING: The installer of these products must verify that the mounting surface, ceiling or wall, will safely support the combined weight of all attached equipment and hardware. Video Mount products will not be held liable for the improper use or installation of its products.