

Available from:

CablesPlus

U ★ S ★ A

Cables Plus, LLC

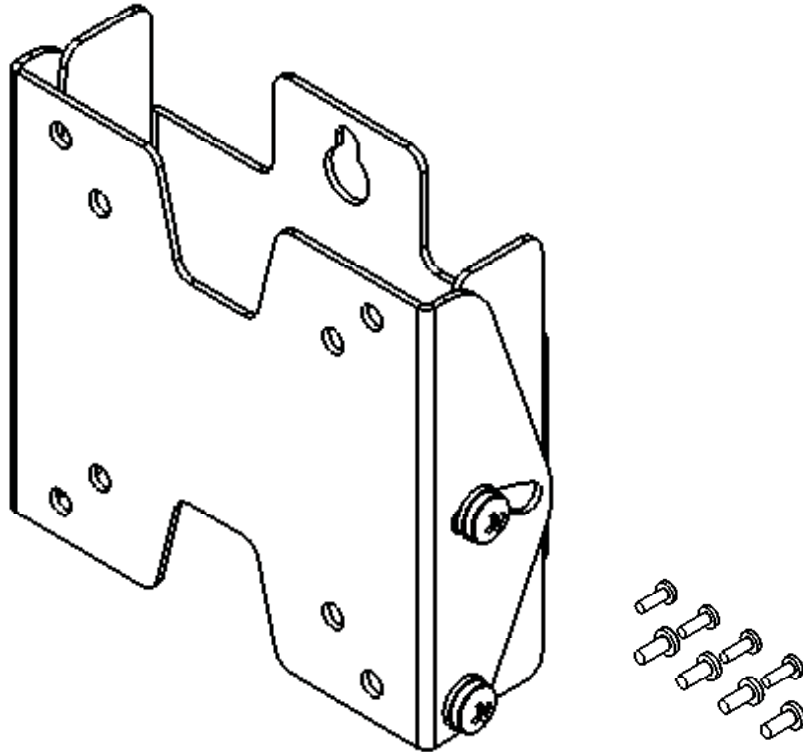
8504 Glazebrook Ave Richmond, VA 23228 ~ Toll Free (866) 678-5852

www.CablesPlusUSA.com

VIDEO MOUNT PRODUCTS

Instruction Sheet For:

LCD-FT & LCD-FTB



Available from:

CablesPlus
U ★ S ★ A

Cables Plus, LLC
8504 Glazebrook Ave Richmond, VA 23228 ~ Toll Free (866) 678-5852

www.CablesPlusUSA.com

Available from:

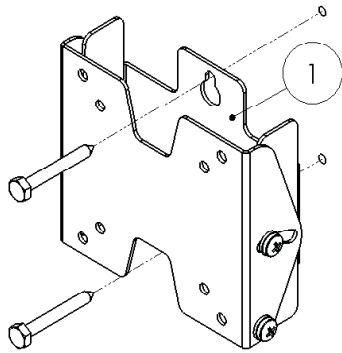
CablesPlus

U ★ S ★ A

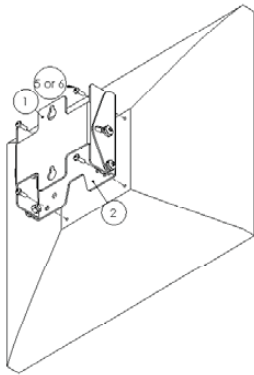
Cables Plus, LLC

8504 Glazebrook Ave Richmond, VA 23228 ~ Toll Free (866) 678-5852

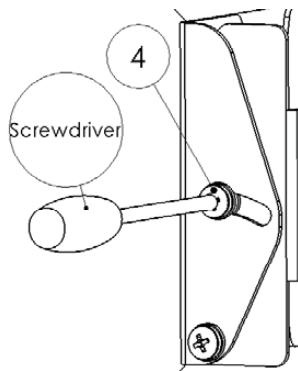
www.CablesPlusUSA.com



Step 2: Attaching the wall plate to the wall
(Lag screws are not included)



Step 3: Attaching your monitor to a mounting plate



Step 4: Adjusting the tilt adjustment tension

Step 1

Before starting, lay out all parts to your mount and match them to the parts list provided. Verify that you have all your parts before attempting to assemble the mount.

Step 2

Mark the wall or desired mounting surface in preparation of installation of wall plate (1). Pre-drill if necessary and mount wall plate (1) to desired surface. Make sure the mounting hardware just loose enough that you can slide the LCD-FT out using the keyhole slots cut into the wall plate (1). **Warning: Please verify that your mounting surface will support the combined weight of your mount, mounting hardware, and monitor. Also verify that the mounting surface is safe to drill through. If in doubt, please contact a professional installer.**

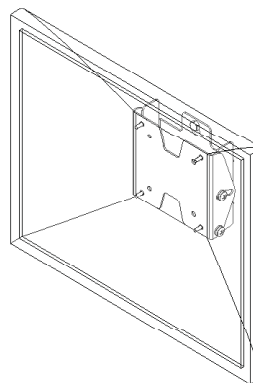
Step 3

Take the LCD-FT off the wall by sliding the mount up until you can use the keyholes to free the wall plate (1) of the mounting hardware. Then mount the mounting plate (2) to the back of the monitor using the M4 (5) or M5 (6) screws provided with the LCD-FT. **Note: Make sure the top of the keyholes are pointing to the top of the monitor.** Place the LCD-FT back on the wall using the keyholes slots.

Step 4

To adjust tilt adjustment tension simple take a Phillips head screw driver and tighten or loosen the top M6 screw (4) on each side to desired tension.

Please verify that all nuts and screws are securely tightened.



Enjoy Your Mount!

WARNING: The installer of these products must verify that the mounting surface, ceiling or wall, will safely support the combined weight of all attached equipment and hardware. Video Mount products will not be held liable for the improper use or installation of its products.

VIDEO MOUNT PRODUCTS

Available from:

CablesPlus

U ★ S ★ A

Cables Plus, LLC

8504 Glazebrook Ave Richmond, VA 23228 ~ Toll Free (866) 678-5852

www.CablesPlusUSA.com