

LCD-PA

pole adaptor

Available from:
CablesPlus
U * S * A
Cables Plus, LLC
8504 Glazebrook Ave Richmond, VA 23228 – Toll Free (866) 678-5852
www.CablesPlusUSA.com

Product Features:

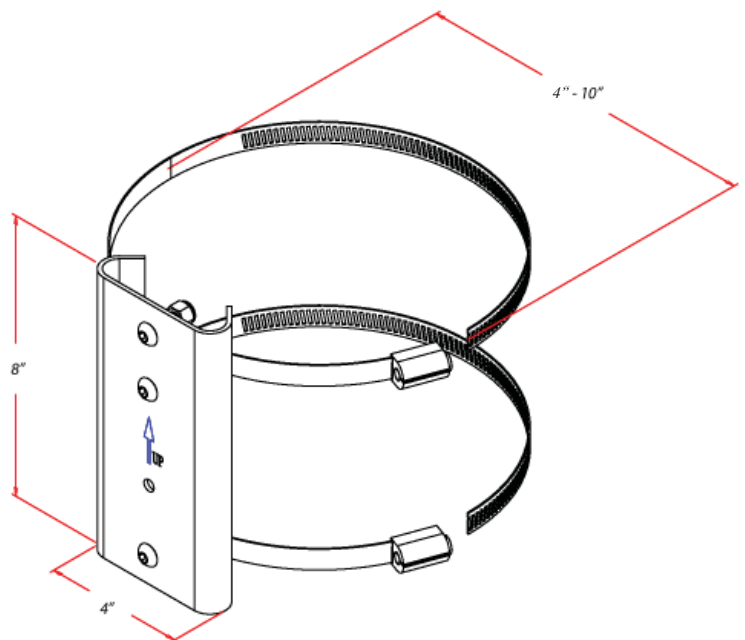
- for use with LCD-1 and LCD-2537
- adapts round or square poles to accept mounts
- stainless steel straps adjust from 4" - 10"
- silver powder coat finish



Product Specifications: *(for Architects & Engineers)*

The adaptor which will allow a pole mounted LCD display shall be the Video Mount products (VMP) model LCD-PA. The adaptor shall be used with either a LCD-1 or a LCD-2537 to mount a LCD to a pole. The adaptor shall be constructed primarily of formed steel. The adaptor shall include two stainless steel straps capable to adjusting from 4" - 10" diameters.

The adaptor shall be able to work on square or circular poles.



Available from:
CablesPlus
U * S * A

Cables Plus, LLC
8504 Glazebrook Ave Richmond, VA 23228 – Toll Free (866) 678-5852
www.CablesPlusUSA.com