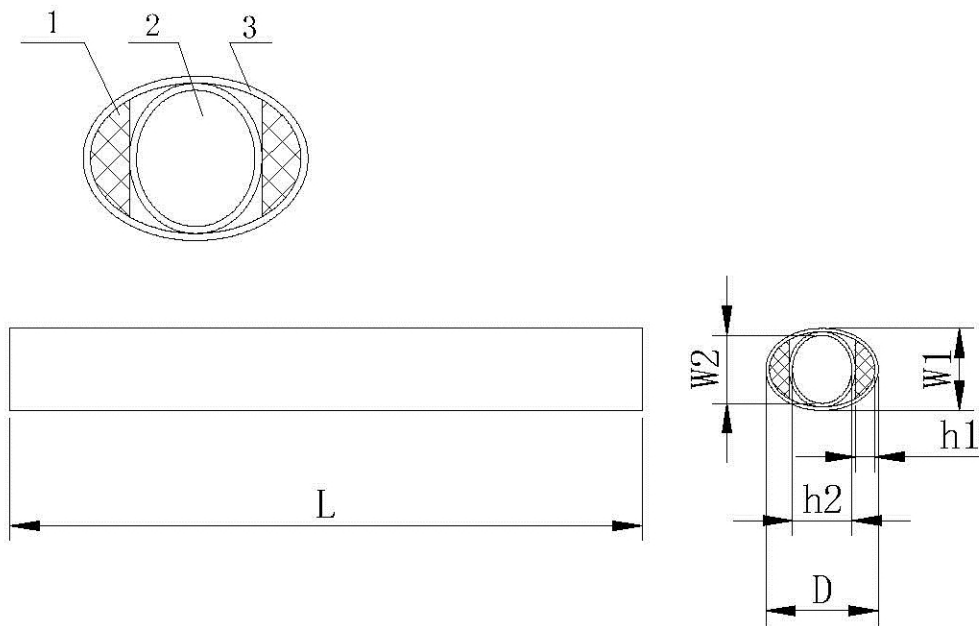


			0.1)mm				
2	6core	$(3.0 \pm 0.1) * (1.45 \pm 0.1)$ mm	$(2.3 \pm 0.1) * (1.1 \pm 0.1)$ mm	40 ± 1 mm	4.1 ± 0.2 mm	3.2 ± 0.2 mm	
3	8core	$(4.0 \pm 0.1) * (2.00 \pm 0.1)$ mm	$(3.5 \pm 0.1) * (2.1 \pm 0.1)$ mm	40 ± 1 mm	5.7 ± 0.2 mm	4.5 ± 0.2 mm	
4	12core	$(4.0 \pm 0.1) * (2.20 \pm 0.1)$ mm	$(4.0 \pm 0.1) * (2.3 \pm 0.1)$ mm	40 ± 1 mm	6.2 ± 0.2 mm	4.8 ± 0.2 mm	

2.0、 Heat Shrinkable Fiber Optic Splice Protector (Double Cerramic Rod):



Specification:

	Fiber Volume	Cerramic	Inner tube	Outertube	OpticSplice Protector	
		W1X h1	W2X h2	L	D	D1
1	4 core	$(3.0 \pm 0.1) * (1.55 \pm 0.1)$ mm	$(2.3 \pm 0.1) * (1.1 \pm 0.1)$ mm	40 ± 1 mm	5.0 ± 0.2 mm	4.7 ± 0.2 mm
2	6core	$(3.0 \pm 0.1) * (1.55 \pm 0.1)$ mm	$(2.3 \pm 0.1) * (1.1 \pm 0.1)$ mm	40 ± 1 mm	5.0 ± 0.2 mm	4.7 ± 0.2 mm

