

Available from:

CablesPlus

U ★ S ★ A

Cables Plus, LLC

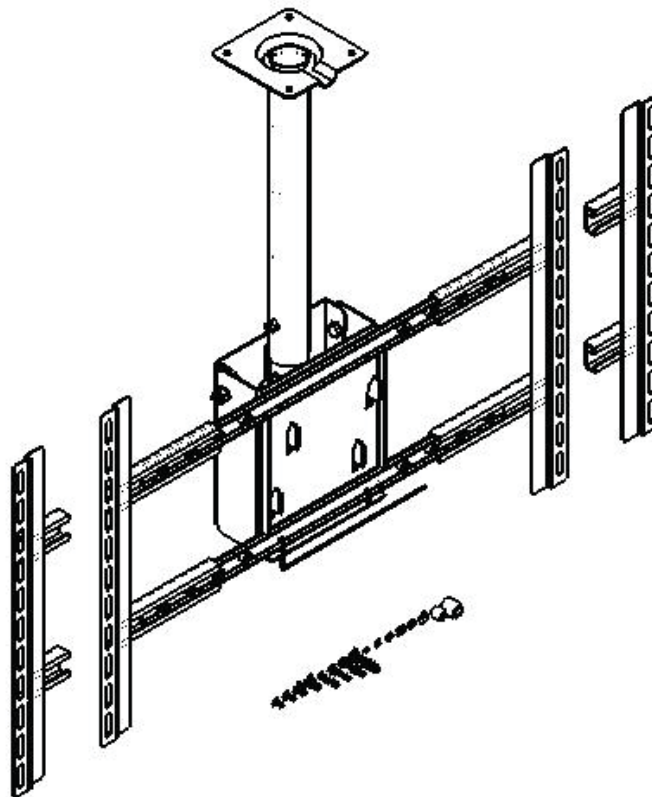
8504 Glazebrook Ave Richmond, VA 23228 ~ Toll Free (866) 678-5852

www.CablesPlusUSA.com

VIDEO MOUNT PRODUCTS

Instruction Sheet For:

PDM-C & PDM-CB



Available from:

CablesPlus
U ★ S ★ A

Cables Plus, LLC

8504 Glazebrook Ave Richmond, VA 23228 ~ Toll Free (866) 678-5852

www.CablesPlusUSA.com

Available from:

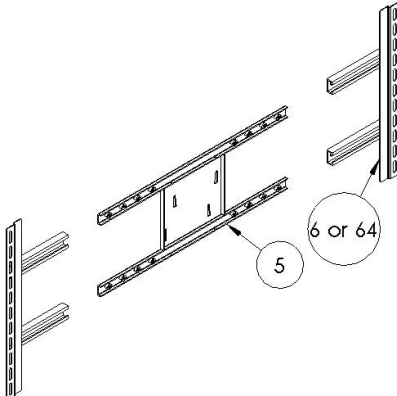
CablesPlus

U ★ S ★ A

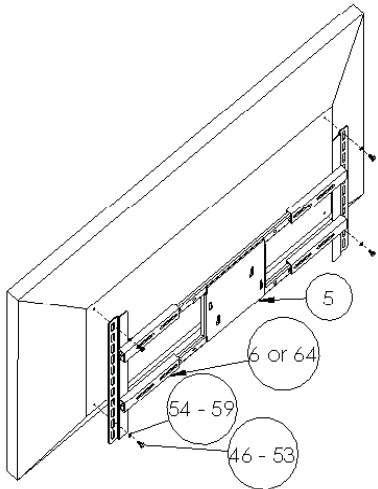
Cables Plus, LLC

8504 Glazebrook Ave Richmond, VA 23228 ~ Toll Free (866) 678-5852

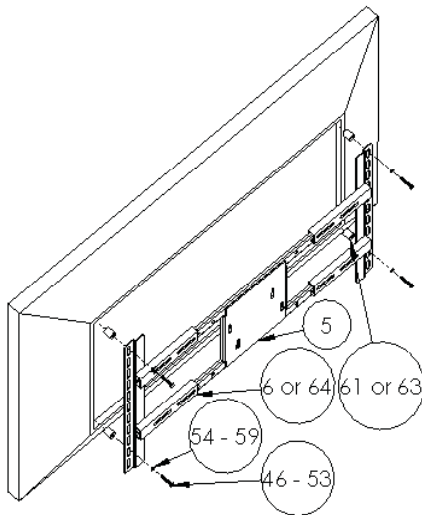
www.CablesPlusUSA.com



Step 2: Sliding the extension brackets onto the mounting plate



Step 3: Attaching a TV with a flat back panel (spacers not used)



Step 3: Attaching a TV with a recessed hole pattern (spacers used)

Step 1

Before starting lay out all parts to your mount and match them to the parts list provided. Verify that you have all your parts before attempting to assemble the mount.

Step 2

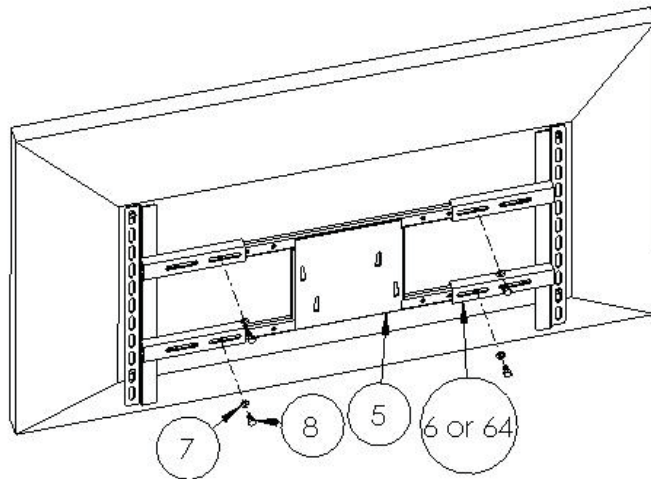
First slide either extension brackets A or B (6 or 64) depending on which works better for your TV) onto the mounting plate (5) and match up the slots on the extension brackets to the holes on the back of your TV.

Step 3

Determine the correct screw size and if you need to use washers, lock washers, or spacers. Note: Spacers are used for TVs with recessed hole patterns. Secure the TV to the extension brackets (6 or 64) using the appropriate hardware (46) through (63).

Step 4

Center the mounting plate (5) on the TV and use the 5/16" screws and washers (8) and (7) to secure the extension brackets (6 or 64) in place. Set this aside for now.



Step 4: Securing the extension brackets to the mounting plate

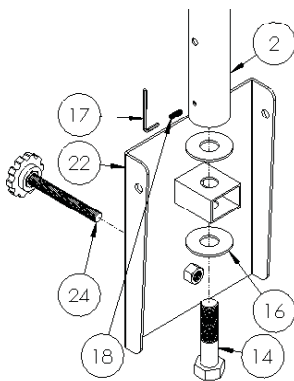
Available from:

CablesPlus

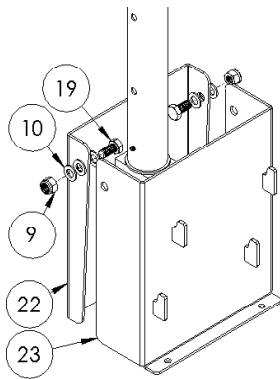
U ★ S ★ A

Cables Plus, LLC
8504 Glazebrook Ave Richmond, VA 23228 ~ Toll Free (866) 678-5852

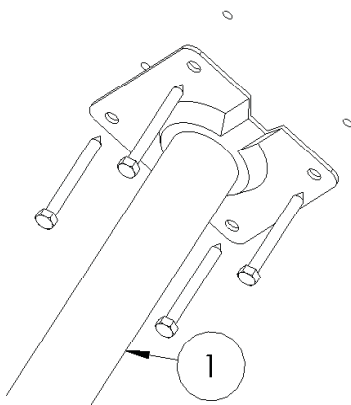
www.CablesPlusUSA.com



Step 5: Attaching the swivel bracket to the extension tube



Step 6: Attaching the adjusting bracket to the swivel bracket



Step 7: Attaching the ceiling plate to the ceiling
(lag screws not included)

Step 5

Connect the extension tube (2) to the swivel bracket (22) using the 3/4" screw (14) and washers (16). Use the short Allen key (17) to screw the M6 brake screw (18) into the threaded hole in the extension tube (2) until the brake screw is tight against the 3/4" screw (14). Insert the adjustable screw (24) into the swivel bracket (22).

Step 6

Connect the swivel bracket (22) to the adjusting bracket (23) using the M10 screws (19), washers (10), and nylon nut (9).

Step 7

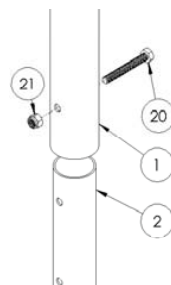
Mark ceiling or desired mounting surface in preparation of installation of the ceiling plate (1) to desired surface. Pre drill if necessary and mount ceiling plate (1) to desired surface. Make sure the ceiling plate is secure on the mounting surface.

Step 8

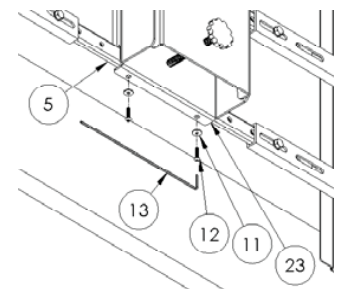
Attach the extension tube (2) to the ceiling plate (1) using the M8 screw (20) and nylon nut (21).

Step 9

Lift the mounting plate (5) with the TV onto the adjusting plate (23) inserting the metal tabs on the adjusting plate (23) through the slots on the mounting plate (5). **This step usually requires at least two people.** Use the M5 screws (12), washers (11), and long Allen key (13) to secure the mounting plate (5) to the adjusting plate (23). **Verify all screws and nuts are securely fastened.**



Step 8: Attaching the extension tube to the ceiling plate



Step 9: Fastening the mounting plate to the adjusting plate

Enjoy Your Mount!

WARNING: The installer of these products must verify that the mounting surface, ceiling or wall, will safely support the combined weight of all attached equipment and hardware. Video Mount Products will not be held liable for the improper use or installation of its products.