

Available from:

CablesPlus

U ★ S ★ A

Cables Plus, LLC

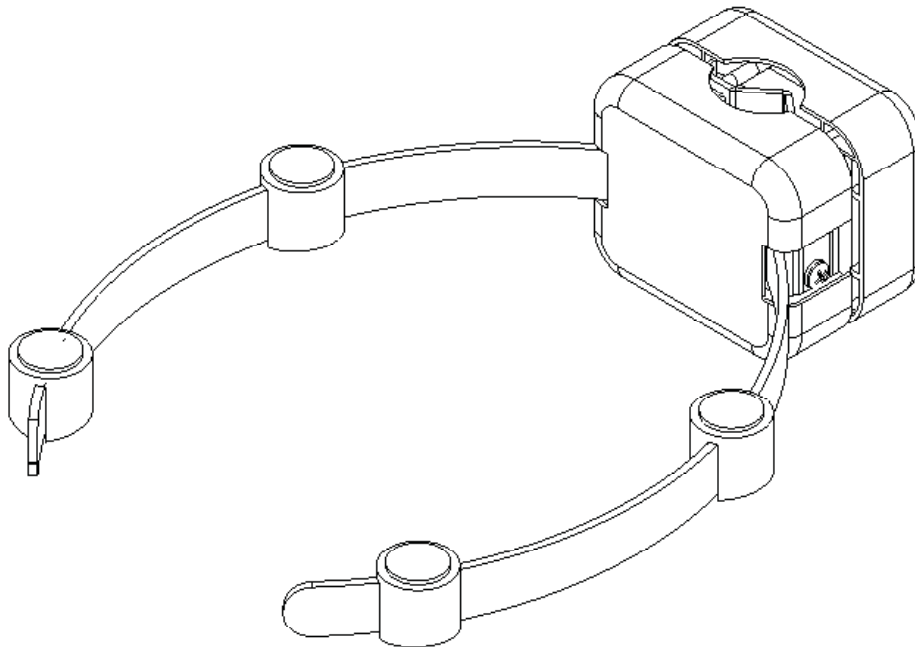
8504 Glazebrook Ave Richmond, VA 23228 ~ Toll Free (866) 678-5852

www.CablesPlusUSA.com

VIDEO MOUNT PRODUCTS

Instruction Sheet For:

VH-005



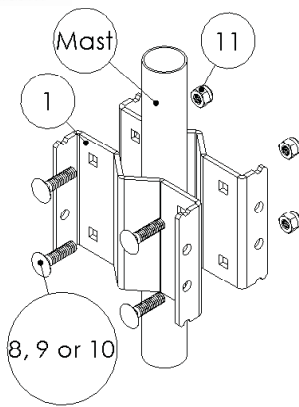
Available from:

CablesPlus
U ★ S ★ A

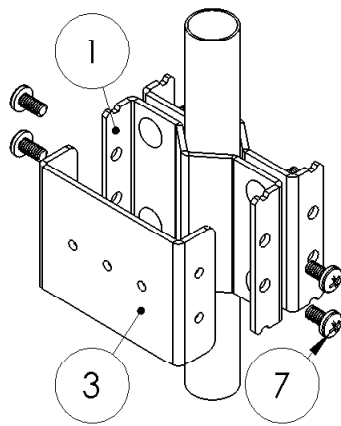
Cables Plus, LLC

8504 Glazebrook Ave Richmond, VA 23228 ~ Toll Free (866) 678-5852

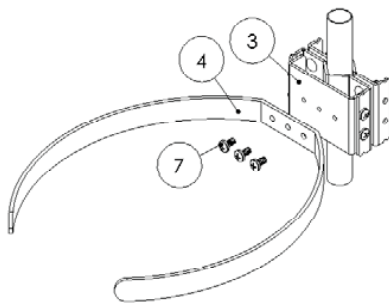
www.CablesPlusUSA.com



Step 2: Attaching the connector plates to the mast
(1" OD mast shown in example)



Step 3: Attaching the cover plate



Step 4: Attaching the support U

Step 1

Before starting, lay out all parts to your mount and match them to the parts list provided. Verify that you have all your parts before attempting to assemble the mount. **Note: It is assumed that you are trying to attach the VH-005 to an already assembled and mounted ceiling mount. If not please proceed to assemble and mount the ceiling mount.**

Step 2

Take the connector plates (1) and place them on either side of the mast of the ceiling mount so the mast rests in the v channel on each plate. Determine the round head screws which are appropriate for your installation. If you are clamping the VH-005 to a LCD-1C, VMP042/044 or VMP046/048 then use screws (10). If you are clamping the VH-005 to a LCD-2537C, LCD-PV, VMP014/024, VMP036/038, PM-1, PM-2, PM-3 or 1" NPT pipe then use screws (9). If you are clamping the VH-005 to a PDM-C or 1.5" NPT then use screws (8). Once you have determined the correct screws (8), (9) or (10) clamp the plates (1) to the mast using nylon nuts (11).

Step 3

Attach the cover plate (3) to the connector plate (1) which has the top of the round head bolt on it with screws (7).

Step 4

Attach the support U (4) to the cover plate using screws (7).

Step 5

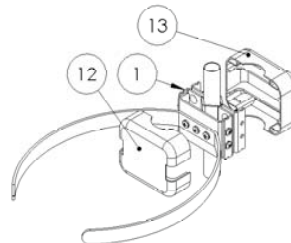
Snap the front (12) and rear covers (13) onto the connector plates (1).

Step 6

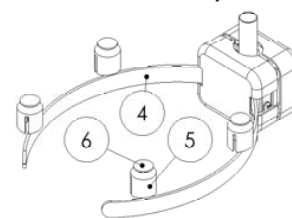
Place the plastic connectors (5) with the anti skid pads (6) on top onto the support U (4) wherever they will best support your A/V equipment. **Please verify that all nuts and screws are tight.**

Enjoy Your Mount!

WARNING: The installer of these products must verify that the mounting surface, ceiling or wall, will safely support the combined weight of all attached equipment and hardware. Video Mount products will not be held liable for the improper use or installation of its products.



Step 5: Snapping on the plastic covers



Step 6: Attaching the plastic connectors